

MINIATURE CAMERA SK-2081 SERIES

INSTALLATION / INSTRUCTION MANUAL

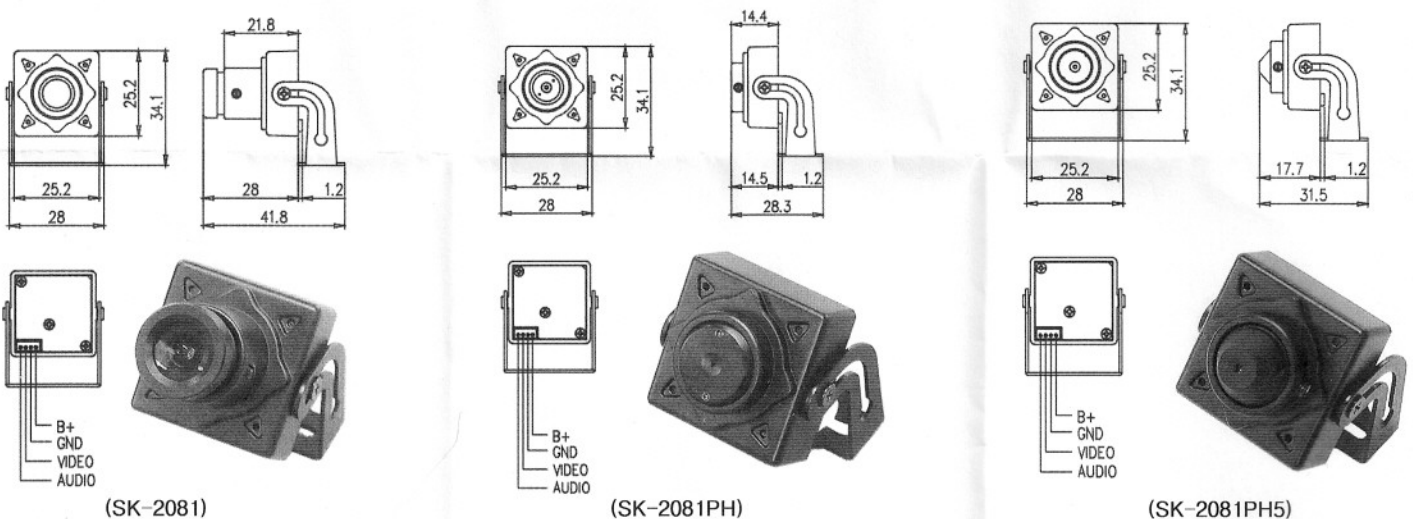
PRECAUTION

1. Recommend to use a regulated DC ~~12V~~^{9V} power supply unit with camera for best picture and safe operation of the unit.
2. Recommend to use the camera with the Monitor which has the standard video input impedance level of 75Ω. If your monitor is set to high impedance mode, please switch the monitor into standard impedance position. If the monitor do not have the impedance adjusting switch, please ask us if the camera is suitable for your monitor.
3. Do not attempt to disassemble the camera. There are no user serviceable parts inside.
Refer service to qualified service personnel.
4. Never face the camera toward the sun. It may cause a smear on the picture when the camera is directly faced to the sun, spot lights or lights reflecting objects.
5. Do not expose the camera to rain or moisture, and do not try to operate the camera in wet place.
Moisture can damage the camera and create the damage of electric shock.

GENERAL SPECIFICATION

SPECIFICATION		SK-2081, SK-2081PH, SK-2081PH5, SK-2081PH6								
Image Sensor	1/3" B/W CCD(SONY)	Sync. Type	Internal							
Effective Pixel	510(H) X 492(V) PIXEL (EIA) 500(H) X 582(V) PIXEL (CCIR)	Min. Illumination	0.1 Lux F/2.0, f=3.6mm (VIDEO OUTPUT 40 IRE)	<table border="1"> <tr> <td>SK-2081</td> <td>SK-2081PH</td> <td>SK-2081PH5</td> </tr> <tr> <td>0.1 Lux</td> <td>0.4 Lux</td> <td>0.1 Lux</td> </tr> </table>	SK-2081	SK-2081PH	SK-2081PH5	0.1 Lux	0.4 Lux	0.1 Lux
SK-2081	SK-2081PH	SK-2081PH5								
0.1 Lux	0.4 Lux	0.1 Lux								
Scanning System	2 : 1 Interlace	Audio Gain (Option)	40dB (3.0V pp at 600Ω Termination)							
Video Signal	1.0Vp-p (Sync. Negative) Termination 75Ω	MIC. sensitivity (Option)	-42 ± 3dB (0dB=1V/Pa at 1KHz)							
Horizontal Resolution	380 TV-LINE	MIC. Type (Option)	Board-in pin type (installed in case)							
S/N Ratio	45dB or More (AGC OFF)	Gain Control	Automatic							
Gamma	$\gamma = 0.45$	Reverse Polarity Protection	Yes							
Shutter Speed	1/60 ~ 1/100,000 sec (EIA) 1/50 ~ 1/100,000 sec (CCIR)	Consumption Current	120mA Max.							
Operation Temp.	-10°C ~ +50°C	Power Supply	Regulated DC 12.0V ^{9V}							
Humidity	RH 95% MAX.	Weight	About 29g							

DIMENSIONS



Note : All specification is subject to change without notice to improve quality.

3B05189A